

Specialty



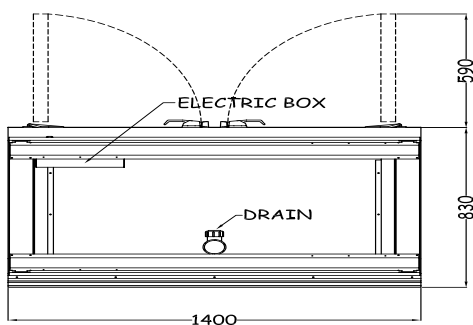
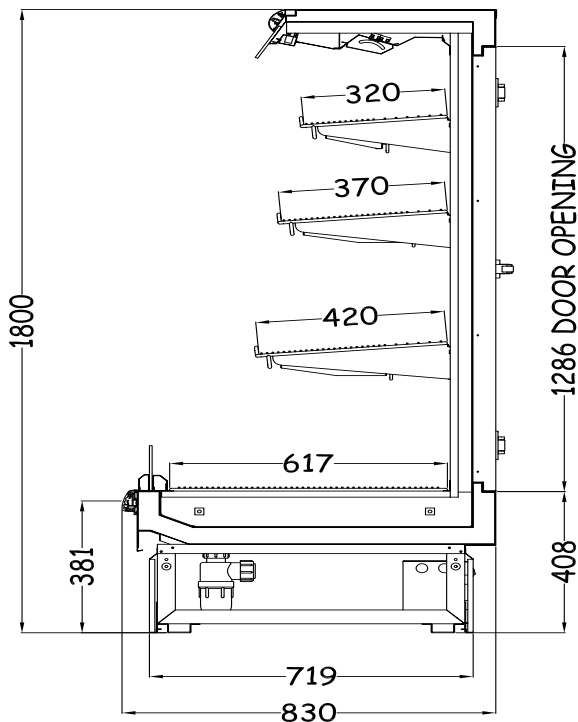
---

## ID2-MRH

Self-Service Hot Food Cabinet with Rear Load Door Option

# Self-Service Hot Food Cabinet with Rear Load Option

## ID2-MRH



### Features

This self-service hot display cabinet has the option of rear load doors which allows for staff to load and clean the cabinet from within the deli department. This provides for greater efficiencies and improved product access.

The ID2-MRH is available in 3-tier and 4-tier shelving and is suitable for merchandising a variety of single layer, packaged hot foods. It provides for alternatives in merchandising various product combinations in an innovative cabinet line-up.

### Standard

- External painted panels
- Stainless steel internal panels
- Stainless steel rack shelves
- Solar thermometer
- Halogen canopy lighting
- Halogen shelf lighting
- Radiant heat

### Options

- External stainless steel panels
- Glass view end panel
- Solid end panels
- Rear load doors
- Additional shelf level

### Also available

ID2-D	Deli
ID2-F	Fish
ID2	Fish Wedge
ID2-HS	Hot Food
ID2-MCT	Mussel
ID2-P	Deli
ID2-SSM	Shellfish
ID2	Sushi



### Additional Information

Dimensions and features are subject to change. Please obtain current information prior to order confirmation.

NOTE: We reserve the right to change or revise specifications and product design in connection with any feature of our products. Such changes do not entitle the buyer to corresponding changes, improvements, additions or replacements for equipment previously sold or shipped.

# HUSSMANN®

### McAlpine Hussmann

2-6 Niall Burgess, Mt Wellington  
Auckland 1060  
Ph: 0800 473374

[www.mcalpinehussmann.co.nz](http://www.mcalpinehussmann.co.nz)