

Specialty



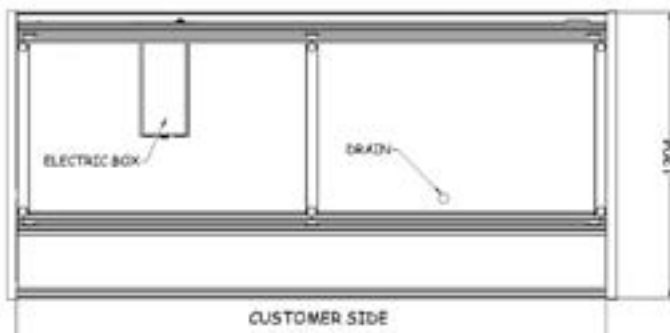
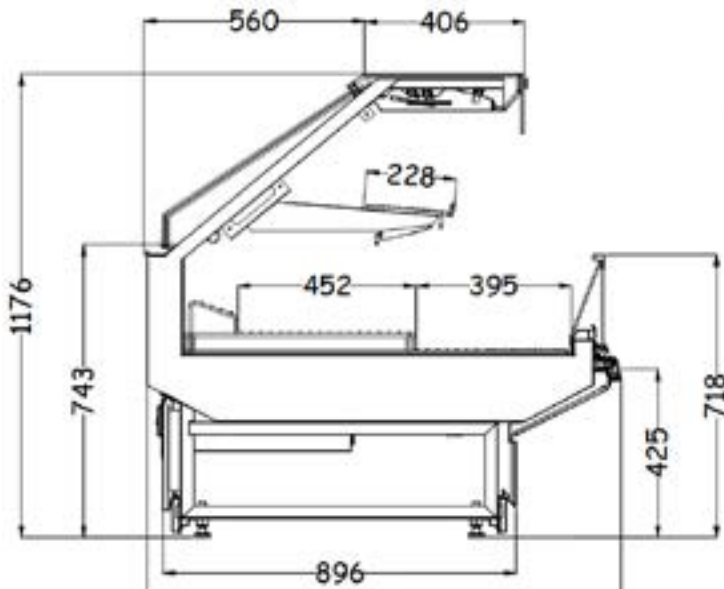
---

## ID3BL-HS

Hot Food Case with Advanced Ergonomics

# Hot Food Case with Enhanced Ergonomics

## ID3BL-HS



### Available Lengths (excluding Ends)

1250mm 1875mm 2500mm 3750mm

### Features

This third generation ID3BL-HS offers greater performance for merchandising hot food products and is available in either self-service or services options.

The display rack is stepped to help separate product and improve display. Special display options can be provided.

Cabinet lengths are variable, and base frame heights can be altered on request.

### Standard

- External painted panels
- Stainless steel internal panels
- Toughened front glass
- Single glazed lift front doors
- Canopy lighting halogens
- Deck elements
- Canopy radiant heating
- Digital thermometer
- Stepped rack
- Stainless steel pressure foamed tub
- Control box lower rear access
- Electric box rear access
- Internal shelf radiant heating on self-service cabinet
- Rear shelf

### Options

- External stainless steel panels
- Angled deck rack
- Bain-marie steam pans in serviced cabinet
- Bumper colour
- General power outlet
- Pedestal base
- Pedestal lighting
- 1/3 Base / Pedestal
- Shelf

### Also Available

ID3BL-BS	Bakery
ID3BL-D	Deli
ID3BL-F	Fish
ID3BL-Ice Deck	Fish
ID3BL-M	Meat
ID3BL-SSM	Shellfish

This range of cabinets is designed and manufactured by McAlpine Hussmann Tauranga

### Additional Information

Dimensions and features are subject to change. Please obtain current information prior to order confirmation.

NOTE: We reserve the right to change or revise specifications and product design in connection with any feature of our products. Such changes do not entitle the buyer to corresponding changes, improvements, additions or replacements for equipment previously sold or shipped.

# HUSSMANN®

### McAlpine Hussmann

2-6 Niall Burgess, Mt Wellington

Auckland 1060

Ph: 0800 473374

[www.mcalpinehussmann.co.nz](http://www.mcalpinehussmann.co.nz)