

Specialty

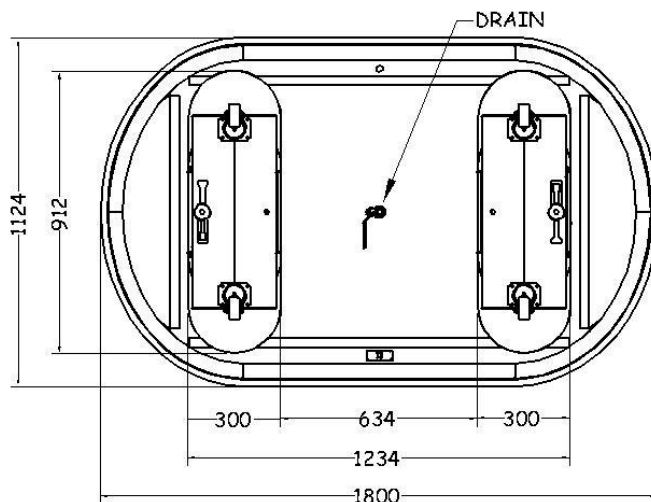
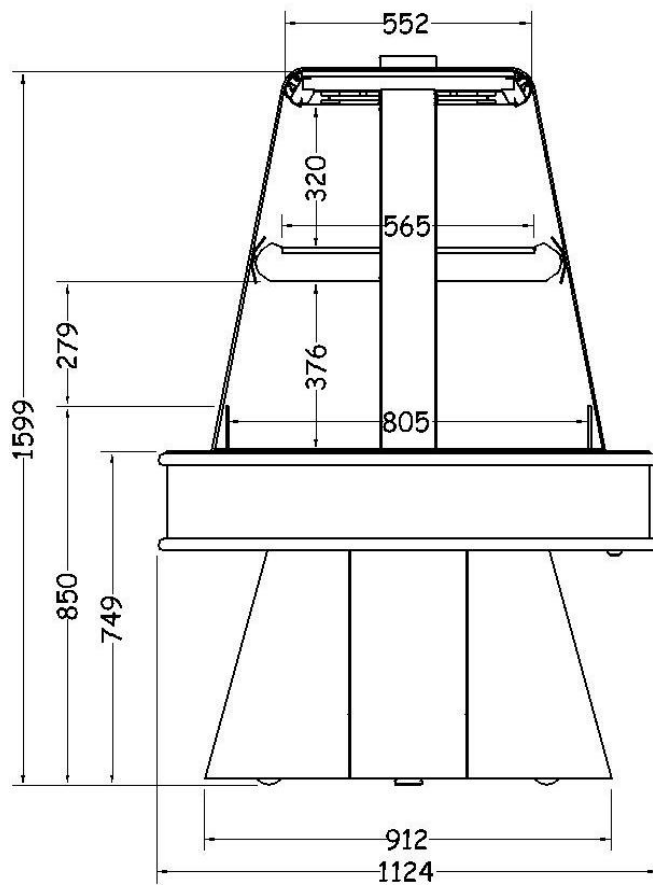


MIC

2-Tier Self-Service Island for Hot Food

2-Tier Self-Service Island for Hot Food

MIC



Features

The MIC is a 2-tier self-service island display cabinet. It is ideally suited to the display of pre-packed hot chickens and will hold up to 36 packs at 65°C.

Access is from the front and back, allowing for improved merchandising opportunities, with glass ends for all-round visibility.

This cabinet can be offered in different lengths, and different surround detailing.

Standard

- External brushed stainless steel
- Internal bright stainless steel
- Double-glazed view ends
- Pedestal base
- Electrical box in pedestal/base
- Canopy lighting
- Shelf lighting
- Shelf radiant heating
- Three-phase power requirement

Options

- External painted panels
- Solid base
- Power supply through canopy/ base
- Choice of colours
- Tong holder
- Paper bag dispenser
- Choice of colours



Additional Information

Dimensions and features are subject to change. Please obtain current information prior to order confirmation.

NOTE: We reserve the right to change or revise specifications and product design in connection with any feature of our products. Such changes do not entitle the buyer to corresponding changes, improvements, additions or replacements for equipment previously sold or shipped.

HUSSMANN®

McAlpine Hussmann

2-6 Niall Burgess, Mt Wellington
Auckland 1060
Ph: 0800 473374

www.mcalpinehussmann.co.nz