

Specialty

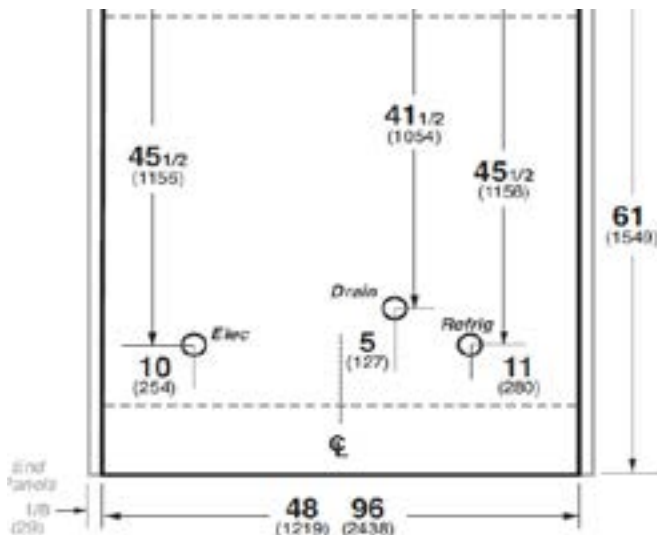
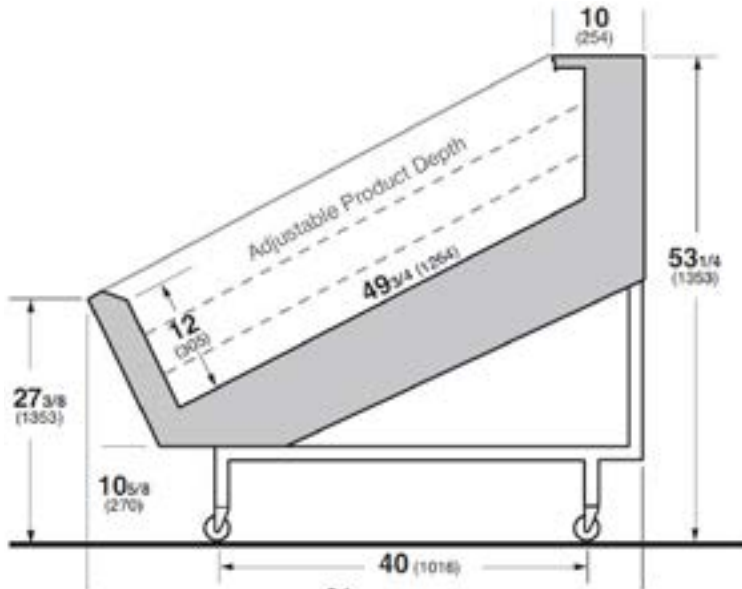


MPC-ET

Euro Table - Refrigerated Mobile Self-Service Merchandiser

Euro Table - Refrigerated Mobile Self-Service Merchandiser

MPC-ET



Features

The MPC-ET is a Mobile Self-Service merchandiser for produce. The "Plug & Play" design with castors and the large open display allows you to feature products anywhere in your store and create impulse buying.

The simple temperature adjustment controls enable you to set ideal temperature based on the product being merchandised

RPC or standard produce boxes can be utilised.

Standard

- R404A condensing unit (self-contained)
- Evap pan (floor sink not required)
- Power cord NEMA plug (self-contained)
- Castors (self-contained)
- Digital Safenet III controller with demand defrost (self-contained)
- Solid end panels
- Black interior
- Painted exterior
- Energy efficient fans

Options

- Stainless steel interior
- Liquid line hand valve (remote)
- Solenoid (remote)
- Thermostat (remote)
- View end panels
- Overhead boom light with EcoShine II Plus LEDs
- Exterior wood finish - with choice of stain
- Select from standard color options (consult factory)



Additional Information

Dimensions and features are subject to change. Please obtain current information prior to order confirmation.

NOTE: We reserve the right to change or revise specifications and product design in connection with any feature of our products. Such changes do not entitle the buyer to corresponding changes, improvements, additions or replacements for equipment previously sold or shipped.

HUSSMANN

McAlpine Hussmann

2-6 Niall Burgess, Mt Wellington
Auckland 1060
Ph: 0800 473374

www.mcalpinehussmann.co.nz