

Specialty

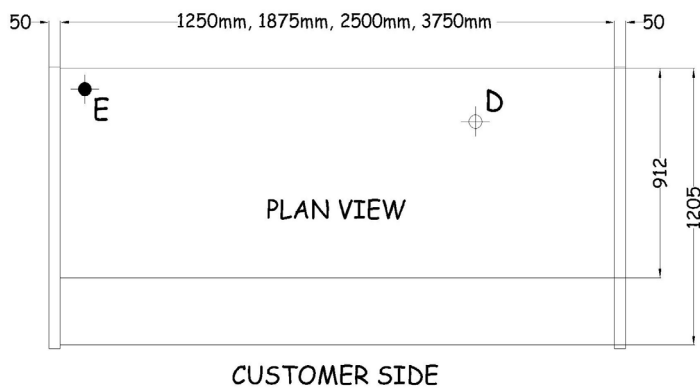
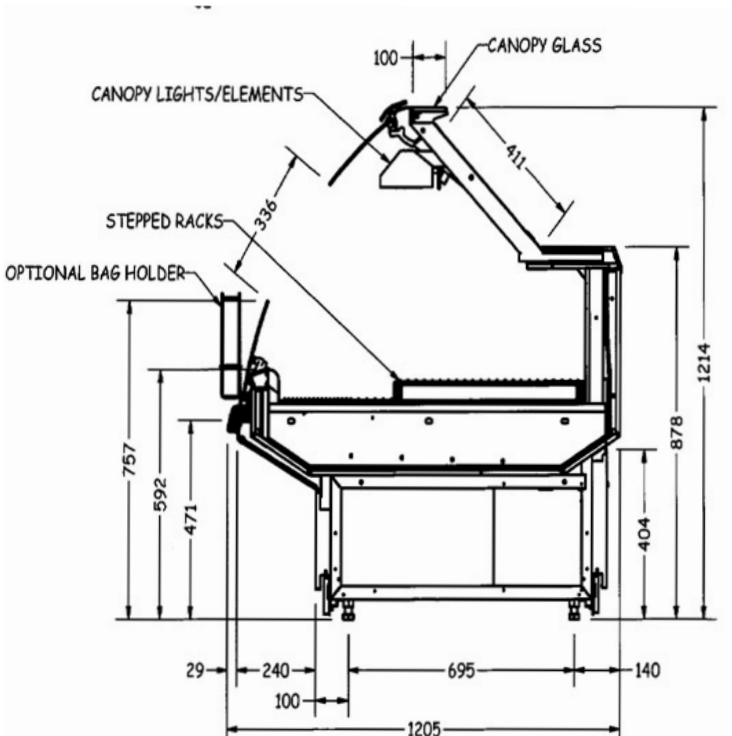


VLL926

European Styled Hot Display Cabinet Suitable for
Merchandising Hot Food

Service Hot Food Display Cabinet

VLL926



Features

The VLL926E is a European style service hot display cabinet which is suitable for merchandising a variety of single layer, packaged hot food.

The cabinet hardware is aesthetically designed for maximum merchandise presentation.

This cabinet is also available in a self-service option.

Cabinet lengths are variable, and base frame heights can be altered on request.

Benefits

- Improved energy efficiencies
- Improved dehydration values
- Improved temperature control

Standard

- External painted panels
- Internal painted panels
- Curve lift up single glaze glass
- Canopy lighting/halogens
- Bumper (RAL9006)
- SS pressure foamed tub
- Electric box lower access
- General power outlet
- Stepped rack

Options

- Pedestal base
- Angled deck rack

Also available

- VLL726E Service Deli
- VLL727-BL Service Deli/Fish
- VLL727E Service Fish/Deli
- VSS726E Self-Service Deli
- VVS726E Self-Service Deli



Additional Information

Dimensions and features are subject to change. Please obtain current information prior to order confirmation.

NOTE: We reserve the right to change or revise specifications and product design in connection with any feature of our products. Such changes do not entitle the buyer to corresponding changes, improvements, additions or replacements for equipment previously sold or shipped.

HUSSMANN®

McAlpine Hussmann

2-6 Niall Burgess, Mt Wellington
Auckland 1060
Ph: 0800 473374

www.mcalpinehussmann.co.nz