

FROZEN FOOD

# KG16

SEMI VERTICAL GLASS DOOR FREEZER



ENHANCED ENERGY EFFICIENCY  
& VERSATILITY

**HUSSMANN®**

### PRODUCT BENEFITS

- Ergonomic design for easy access
- Alternative shelving layouts to optimise merchandising
- Optimised display with LED lighting
- Energy efficient door solution
- Low Total Energy Consumption (TEC)
- Longer merchandise shelf life
- Product temperature compliance
- Simple to install and maintain

### STANDARD FEATURES

- Internal and external powder coating
- Standard door with anti fog film
- Vertical 4000K mullion LED lights
- 4 rows of 550mm solid powder coated unlit shelves
- Ticket strips
- Adjustable wire base rack with product stop
- Wire air return grill
- Rubber bumper
- Galvanised base
- Evaporator assembly fitted with valve
- Evaporator copper coil
- EC fan motors
- Digital thermometer display fitted
- Alarm probe fitted with conduit and draw wire

### CUSTOMISATIONS

#### Shelving & Base

- Optional additional shelves and brackets
- Wire shelf and wire basket
- Product dividers
- Base basket dividers
- Wire shelf fences 75mm

#### Lighting

- Premium lighting available

#### Ends

- Solid end with powder coated trim
- Acrylic full height system divider

#### Bumper

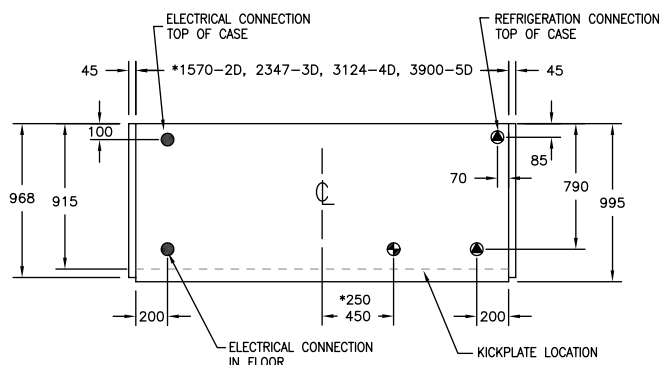
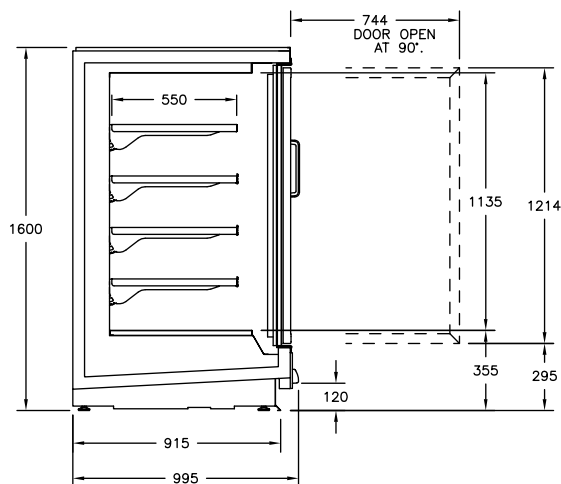
- Stainless steel bumper (single or double rail)

#### Other

- Anti fog film applied to door
- Rear dress panel
- Technology solutions
- Electronic shelf labels or video rail

### Energy & Sustainability

- Anti sweat icons



### AVAILABLE LENGTHS

Excluding Ends: 1570, 2347, 3124, 3900

TEMPERATURE CLASS

3L1



(-18 °C to -15 °C)

### AVAILABLE DEPTH

KG16 - Standard: 995

### AVAILABLE COLOURS



#### Additional Information

All Dimensions shown in Millimetres (mm) unless otherwise stated. Dimensions and features are subject to change. Please obtain current technical information prior to order confirmation.

**NOTE:** We reserve the right to change or revise specifications and product design in connection with any feature of our products. Such changes do not entitle the buyer to corresponding changes, improvements, additions or replacements for equipment previously sold or Shipped.

