

BAKERY

# MPD218

MULTIDECK DOOR MEDIUM TEMPERATURE CABINET



ENHANCED ENERGY EFFICIENCY  
& VERSATILITY

**HUSSmann®**

\*Image shown with fully frameless doors

## PRODUCT BENEFITS

- Ergonomic design for easy access
- Alternative shelving layouts to optimise merchandising
- Optimised display with LED lighting
- Low Total Energy Consumption (TEC)
- Longer merchandise shelf life
- Product temperature compliance
- Simple to install and maintain
- Designed for modular configurations

## STANDARD FEATURES

- Internal and external powder coating
- Single row of 4000K LED canopy lighting
- Provision for Mullion LED lights only no housing
- 4 rows of 500mm powder coated shelves
- Undershelf lighting 4000K
- Wire product fences 75mm
- Adjustable base wire tray with 115mm front
- Rear Mirror Kit
- Ticket strips
- Galvanised base
- Rubber bumper
- Evaporator assembly fitted with valve
- EC fan motors
- Digital thermometer display fitted
- Alarm probe fitted with conduit and draw wire
- Standard doors and handles

## CUSTOMISATIONS

### Shelving & Base Shelf

- Additional shelves and brackets
- Stainless steel reinforced shelving and base tray
- Hang sell and bar
- Wire or acrylic shelf fences (45mm, 75mm)

### Lighting

- Standard lighting (3000K, 3300K, 4000K)
- Premium lighting available

### Ends

- Solid mirror end / Glass view end
- Common end
- Acrylic full height system divider

### Bumper

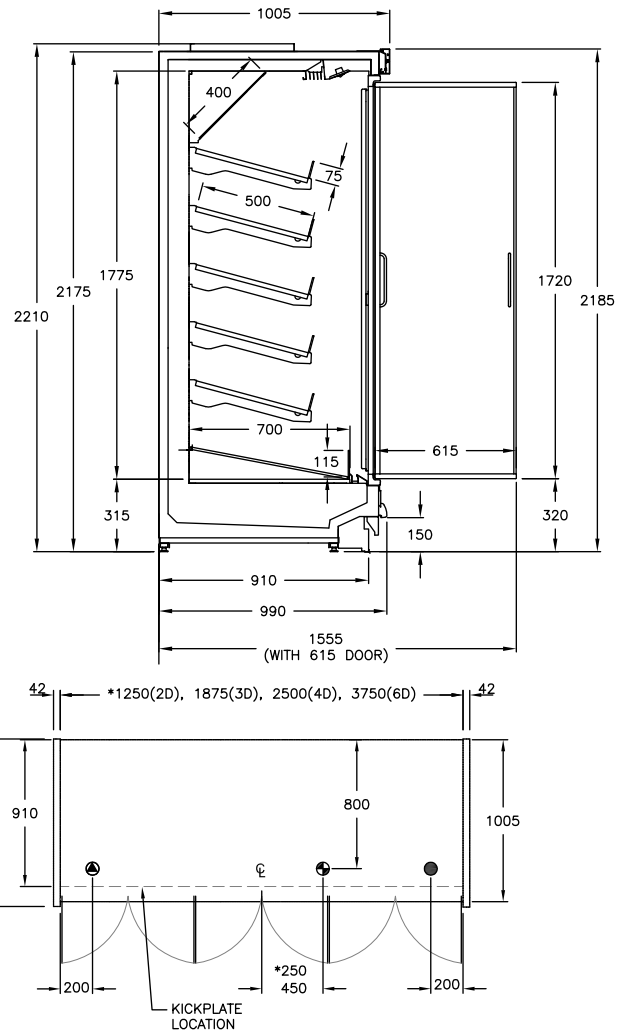
- Stainless steel bumper (single or double rail)

### Other

- Fully Frameless Doors (as shown in render)
- Top mount piping
- Rear dress panels
- Valance panels - top or lower rear
- Stainless steel base liner
- Technology solutions
- Electronic shelf labels or video rail

## Energy & Sustainability

- Ambient Fan Kit



## AVAILABLE LENGTHS

**Excluding Ends:** 1250, 1875, 2500, 3750  
**Crown Ends:** 1875, 2115

## AVAILABLE DEPTHS

**MPD118 - Narrow:** 890  
**MPD218 - Standard:** 990  
**MPD318 - Deep:** 1090

**TEMPERATURE CLASS**

**3M1**



(-1 °C to +5 °C)

## AVAILABLE COLOURS



### Additional Information

All Dimensions shown in Millimetres (mm) unless otherwise stated. Dimensions and features are subject to change. Please obtain current technical information prior to order confirmation.

**NOTE:** We reserve the right to change or revise specifications and product design in connection with any feature of our products. Such changes do not entitle the buyer to corresponding changes, improvements, additions or replacements for equipment previously sold or Shipped.

