

MEAT

# MJPE318

MULTIDECK DEEP MEDIUM TEMPERATURE CABINET



ENHANCED ENERGY EFFICIENCY  
& VERSATILITY

**HUSSmann®**

### PRODUCT BENEFITS

- Ergonomic design for easy access
- Alternate shelving layouts to optimise merchandising
- Optimised display with LED lighting
- Dual air curtain technology
- Low Total Energy Consumption (TEC)
- Longer merchandise shelf life
- Product temperature compliance
- Simple to install and maintain
- Designed for modular configurations

### STANDARD FEATURES

- Internal and external powder coating
- Single row of 3000K LED canopy lighting
- 4 rows of 550mm powder coated shelves
- Undershelf lighting 3000K
- Wire product fences 75mm
- Adjustable base wire tray with 115mm front
- Mirror Kit
- Ticket strips
- Wire air return grill
- Galvanised base
- Night blind - manual slow release
- Rubber bumper
- Evaporator assembly fitted with valve
- EC fan motors
- Digital thermometer display fitted
- Alarm probe fitted with conduit and draw wire

### CUSTOMISATIONS

#### Shelving & Base Shelf

- Stainless steel reinforced solid shelving and base tray
- Additional shelves and brackets
- Roller shelving (optional product divider)
- Hang sell and bar
- Wire or acrylic shelf fences (45mm, 75mm)
- Adjustable wire base rack with product stop (75mm or 115mm)

#### Lighting

- Canopy / Under-shelf lighting
- Premium lighting available

#### Ends

- Solid mirror ends / Glass view ends
- Common end
- Acrylic full height system divider

#### Bumper

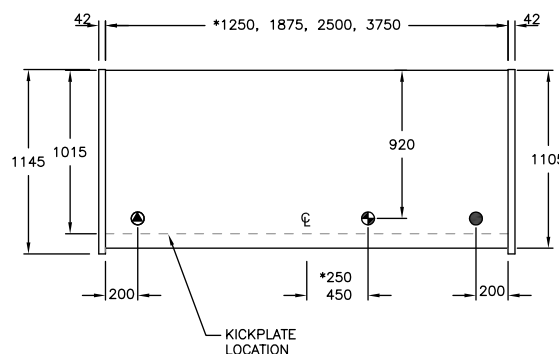
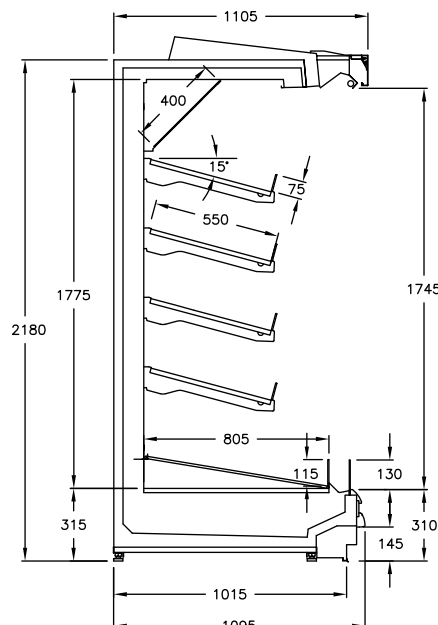
- Stainless steel bumper (single or double rail)

#### Other

- Rear mirror kit
- Top mount piping
- Rear dress panels
- Valance panels - top or lower rear
- Stainless steel base liner
- Technology Solutions
- Electronic shelf labels or video rail

### Energy & Sustainability

- Air-Guide technology
- Motorised night blind
- Door solutions



### AVAILABLE LENGTHS

**Excluding Ends:** 1250, 1875, 2500, 3750  
**Crown Ends:** 1562, 1875 (MJPE218)

### AVAILABLE DEPTHS

**MJPE118 - Narrow:** 895  
**MJPE218 - Standard:** 995  
**MJPE318 - Deep:** 1095

**TEMPERATURE CLASS**

**3M0**



(-1 °C to +4 °C)

### AVAILABLE COLOURS



#### Additional Information

All Dimensions shown in Millimetres (mm) unless otherwise stated. Dimensions and features are subject to change. Please obtain current technical information prior to order confirmation.

**NOTE:** We reserve the right to change or revise specifications and product design in connection with any feature of our products. Such changes do not entitle the buyer to corresponding changes, improvements, additions or replacements for equipment previously sold or Shipped.

