

HOT

VLL926BL-SS

SELF SERVE HOT DISPLAY CABINET



ENHANCED ENERGY EFFICIENCY
& VERSATILITY

HUSSmann®

PRODUCT BENEFITS

- Ergonomic design for easy access
- Low product dehydration
- Longer merchandise shelf life
- Product temperature compliance
- Simple to install and maintain

STANDARD FEATURES

- Full stainless steel interior
- Stainless steel deck pan
- Stainless steel rear exterior panels
- Powder coated front exterior panels
- Full front with non adjustable base
- Stainless steel wired stepped rack
- Kickplate
- Rubber bumper
- Digital thermometer display fitted
- Draw wire in conduit for air probe

CUSTOMISATIONS

Accessories

- Scale stand kit
- Glove dispenser
- Paper dispenser
- Fold down shelf
- Bag roll holder kit
- Pedestal base

Lighting

- Premium lighting available

Ends

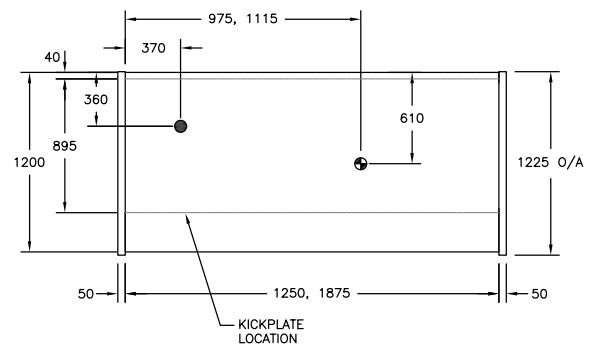
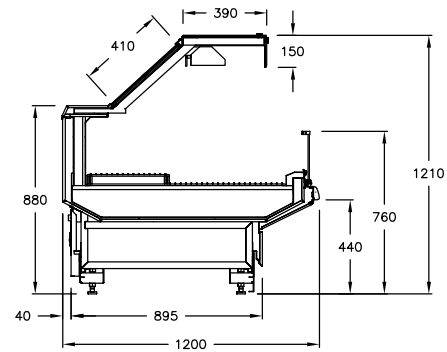
- Solid mirror ends
- Common end
- Acrylic full height system divider

Bumper

- Stainless steel rail wood bumper

Other

- Technology solutions
- Electronic shelf labels




AVAILABLE LENGTHS

Excluding Ends: 1250, 1875

AVAILABLE DEPTHS

V Series Deli: 1200
D Series Deli: 1090

TEMPERATURE CLASS
HOT

(+65 / +80 ° C)

AVAILABLE COLOURS



Additional Information

All Dimensions shown in Millimetres (mm) unless otherwise stated. Dimensions and features are subject to change. Please obtain current technical information prior to order confirmation.

NOTE: We reserve the right to change or revise specifications and product design in connection with any feature of our products. Such changes do not entitle the buyer to corresponding changes, improvements, additions or replacements for equipment previously sold or Shipped.

