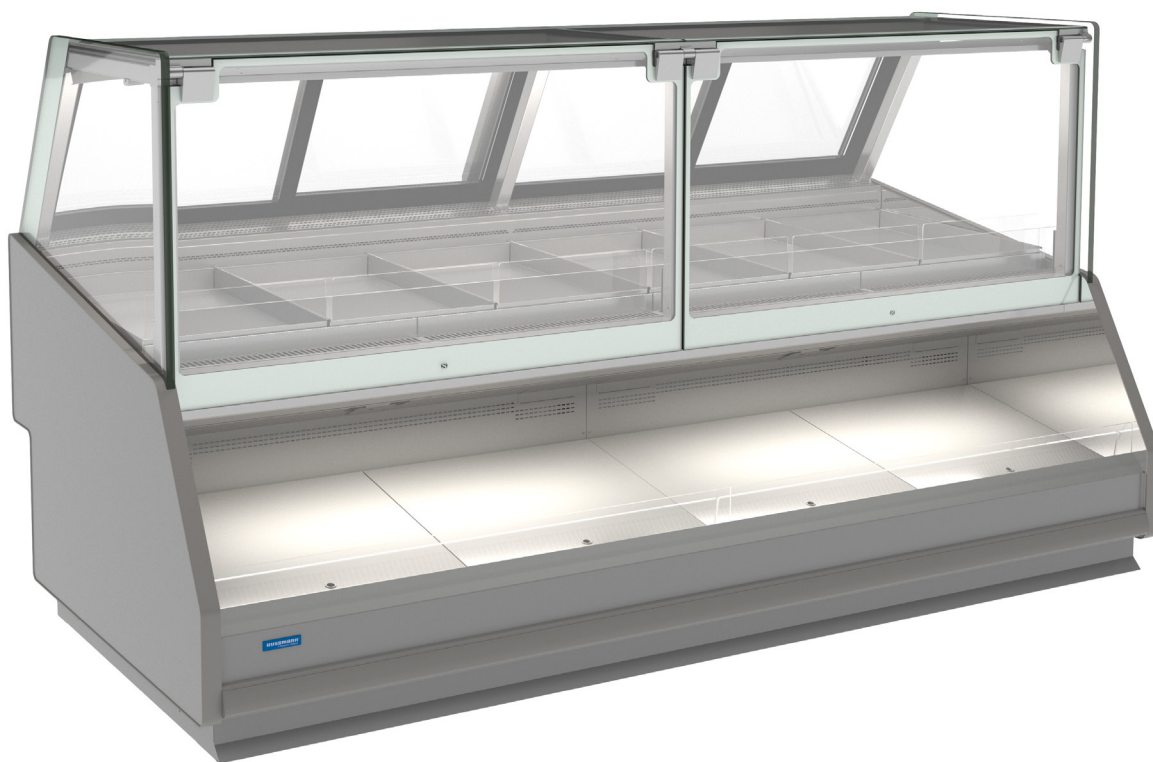


SEAFOOD

# CSD13

CHILLED SERVICE - COMBINATION



ENHANCED ENERGY EFFICIENCY  
& VERSATILITY

**HUSSmann®**

**PRODUCT BENEFITS**

- Ergonomic design for easy access
- Optimised display with LED lighting
- Low product dehydration
- Low Total Energy Consumption (TEC)
- Longer merchandise shelf life
- Product temperature compliance
- Simple to install and maintain

**STANDARD FEATURES**

- Serviced section with full stainless steel interior
- Serviced section includes stainless steel deck pan
- Stainless steel rear exterior panels
- Powder coated front exterior panels
- Flat front glass
- Single row of 3300K canopy light
- Kickplate
- Rubber bumper
- Protected coated evaporator fitted with valve
- Digital thermometer display fitted
- Draw wire in conduit for air probe

**CUSTOMISATIONS**

**Accessories**

- Stainless steel wired angled rack
- Stainless steel wired stepped rack
- Scale stand kit
- Glove dispenser
- Paper dispenser
- Sliding/fold down rear bench
- Bag roll holder kit

**Lighting**

- Premium lighting available

**Ends**

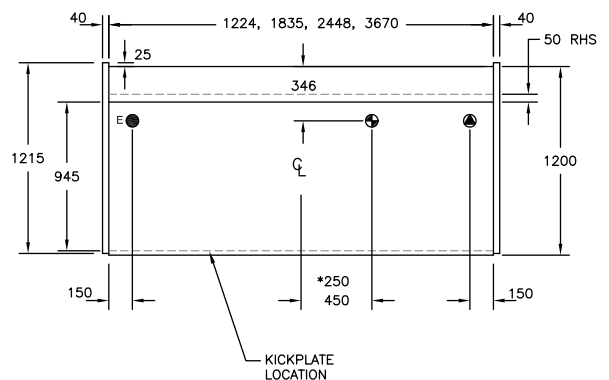
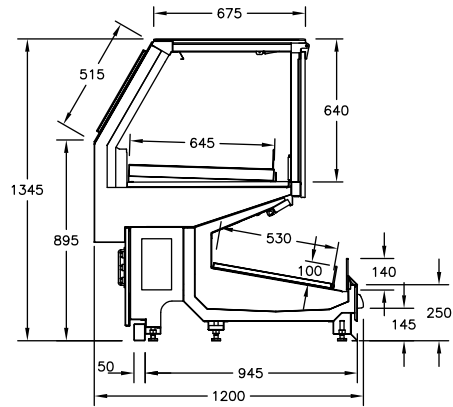
- Solid mirror ends
- Glass view end
- Common end
- Acrylic full height system divider

**Bumper**

- Stainless steel rail (single or double)


**Other**

- Technology solutions
- Electronic shelf labels



**AVAILABLE LENGTHS**

**Excluding Ends:** 1224, 1835, 2448, 3670

TEMPERATURE CLASS
3M1

(-1 °C to +5 °C)

**AVAILABLE DEPTHS**

**C Series Deli:** 1200

**AVAILABLE COLOURS**



**Additional Information**

All Dimensions shown in Millimetres (mm) unless otherwise stated. Dimensions and features are subject to change. Please obtain current technical information prior to order confirmation.

**NOTE:** We reserve the right to change or revise specifications and product design in connection with any feature of our products. Such changes do not entitle the buyer to corresponding changes, improvements, additions or replacements for equipment previously sold or Shipped.

