

CHEESE

# CSS13

4 TIER CHILLED SELF SERVE



ENHANCED ENERGY EFFICIENCY  
& VERSATILITY

**HUSSMANN®**

**PRODUCT BENEFITS**

- Ergonomic design for easy access
- Optimised display with LED lighting
- Low product dehydration
- Low Total Energy Consumption (TEC)
- Longer merchandise shelf life
- Product temperature compliance
- Simple to install and maintain

**STANDARD FEATURES**

- Full stainless steel interior
- Stainless steel deck pan
- Stainless steel rear exterior panels
- Powder coated front exterior panels
- Full front with non adjustable base
- Flat front glass
- Single row of 4000K canopy light
- Undershelf lighting 4000K
- 3 rows of powder coated shelves. 1x 300mm, 1x 380mm, 1x 500mm
- Kickplate
- Rubber bumper
- Protected evaporator assembly fitted with valve
- Draw wire in conduit for air probe

**CUSTOMISATIONS**

**Lighting**

- Premium lighting available

**Ends**

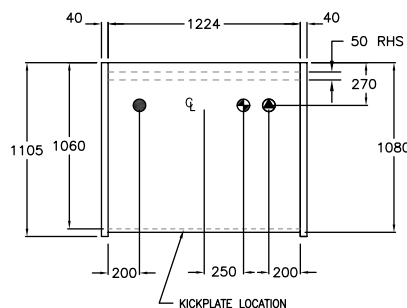
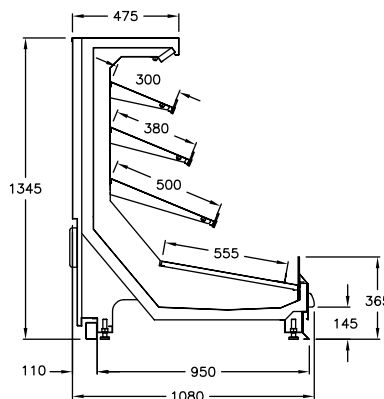
- Solid mirror ends
- Glass view end
- Common end

**Bumper**

- Stainless steel rail (single or double)

**Other**

- Technology solutions
- Electronic shelf labels




**AVAILABLE LENGTHS**





Excluding Ends: 1224

**AVAILABLE DEPTHS**

C Series Deli: 1080

TEMPERATURE CLASS
3M1

(-1 °C to +4 °C)

**AVAILABLE COLOURS**

 RAL9005	 GN150A	 GL180A	 GY070A	 MW201T	 GL205A
 RAL9003	 RAL9010				

**Additional Information**

All Dimensions shown in Millimetres (mm) unless otherwise stated. Dimensions and features are subject to change. Please obtain current technical information prior to order confirmation.

**NOTE:** We reserve the right to change or revise specifications and product design in connection with any feature of our products. Such changes do not entitle the buyer to corresponding changes, improvements, additions or replacements for equipment previously sold or Shipped.

