

HOT

# SMH1500

SELF SERVE DISPLAY CABINET



ENHANCED ENERGY EFFICIENCY  
& VERSATILITY

**HUSSmann®**

**PRODUCT BENEFITS**

- Ergonomic design for easy access
- Suitable for merchandising packaged hot food
- Suite into SM range or island end
- Low product dehydration
- Low Total Energy Consumption (TEC)
- Product temperature compliance
- Simple to install and maintain

**STANDARD FEATURES**

- Full stainless steel interior
- Powder coated front exterior panels
- Halogen Canopy and shelf lighting
- 3 or 4 tier options
- Electric box rear lower access
- Shelf radiant heating
- Kickplate
- Rubber bumper
- Digital thermometer display fitted
- Draw wire in conduit for air probe

**CUSTOMISATIONS**

**Accessories**

- Tong holder
- Paper bag dispenser

**Ends**

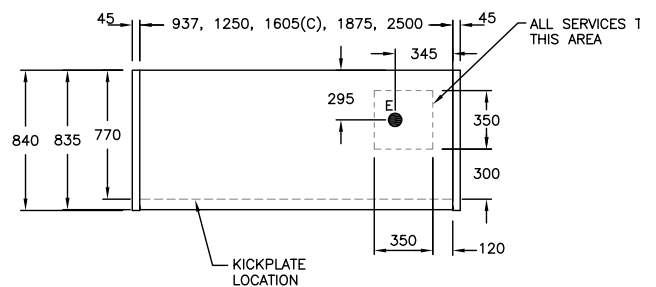
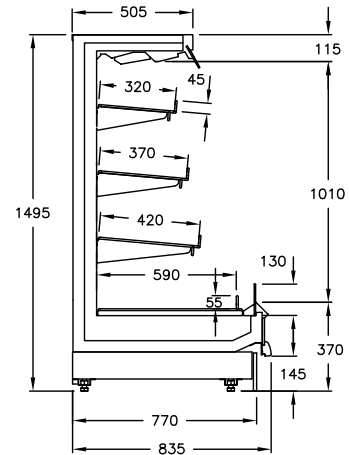
- Solid mirror ends
- Double glazed view ends

**Bumper**

- Stainless steel rail (single or double)

**Other**

- Technology solutions
- Electronic shelf labels



**AVAILABLE LENGTHS**

**Excluding Ends:** 937, 1250, 1875, 2500  
**Crown End:** 1605

TEMPERATURE CLASS
HOT
(+65 / +80 ° C)

**AVAILABLE DEPTHS**

**SMH - Standard:** 840

**AVAILABLE COLOURS**



**Additional Information**

All Dimensions shown in Millimetres (mm) unless otherwise stated. Dimensions and features are subject to change. Please obtain current technical information prior to order confirmation.

**NOTE:** We reserve the right to change or revise specifications and product design in connection with any feature of our products. Such changes do not entitle the buyer to corresponding changes, improvements, additions or replacements for equipment previously sold or Shipped.

