

SPECIALITY

HCCR

HOT COLD COMBINATION



ENHANCED ENERGY EFFICIENCY
& VERSATILITY

HUSSMANN®

PRODUCT BENEFITS

- Ergonomic design for easy access
- Hot / cold combination merchandiser
- Optimised display with LED lighting
- Low product dehydration
- Low Total Energy Consumption (TEC)
- Product temperature compliance
- Simple to install and maintain

STANDARD FEATURES

- Full stainless steel upper section
- Painted internal lower section
- Fully self contained R449A
- Hot top section with chiller lower section
- Top tier 705mm
- LED lighting in lower section
- Protected evaporator assembly fitted with valve
- Digital thermometer display fitted

CUSTOMISATIONS**Lighting**

- Premium lighting available

Ends

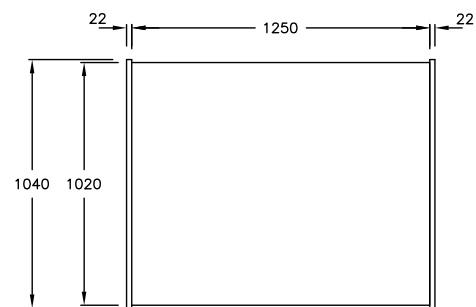
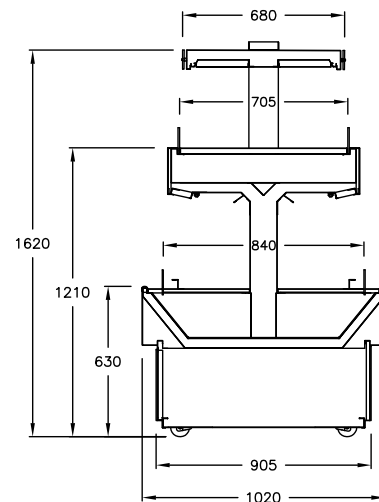
- Solid mirror ends

Bumper

- Stainless steel rail (single or double)

Other

- Technology solutions
- Electronic shelf labels

**AVAILABLE WIDTHS**

Excluding Ends: 1250

AVAILABLE DEPTHS

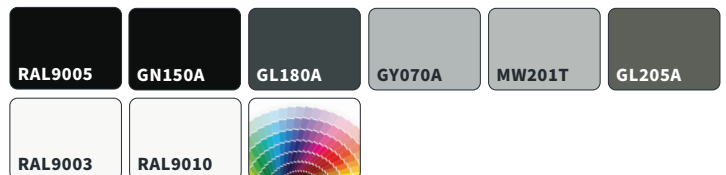
Standard: 1040

TEMPERATURE CLASS

3M1



(-1 °C to +5 °C)

AVAILABLE COLOURS**Additional Information**

All Dimensions shown in Millimetres (mm) unless otherwise stated. Dimensions and features are subject to change. Please obtain current technical information prior to order confirmation.

NOTE: We reserve the right to change or revise specifications and product design in connection with any feature of our products. Such changes do not entitle the buyer to corresponding changes, improvements, additions or replacements for equipment previously sold or Shipped.



© 2020 Hussmann Corporation - Version - V.1.0

McAlpine Hussmann

2-6 Niall Burgess Road, Mt Wellington, Auckland 1060, New Zealand

ph. +64 9526 6800

w. www.mcalpinehussmann.co.nz

MCALPINE HUSSMANN®