

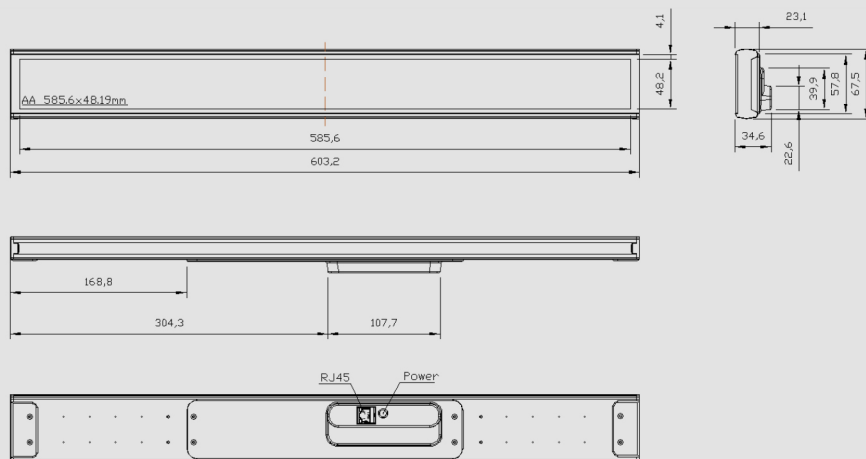
Rail 06001 (60CM)

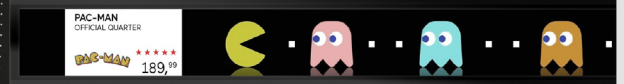
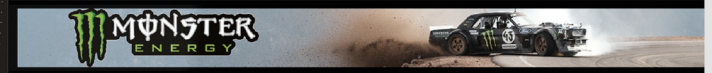
TECHNICAL DETAILS

Model	VR 06001
Dimensions (mm)	603.2 x 67.39 x 34.51
Display technology	46.2-inch diagonal a-Si TFT-LCD display screen
Active display area (mm)	585.6 x 48.19 mm
Resolution (pixels)	1920 x 158
Video playing options (pixels)	TBA
Pixel colors	16.7M (8-bit) with 73% NTSC (CIE1931)
Viewing angle	Nearly 180°
Video formats supported	mp4
Image formats supported	png / jpeg
Operating temperature	10 °C to 30 °C
Connectivity	RJ45 10/100/1000 network
Cloud firmware update	Yes
Regulatory	FCC, IC, CE

*For details see product specification

TECHNICAL DRAWINGS





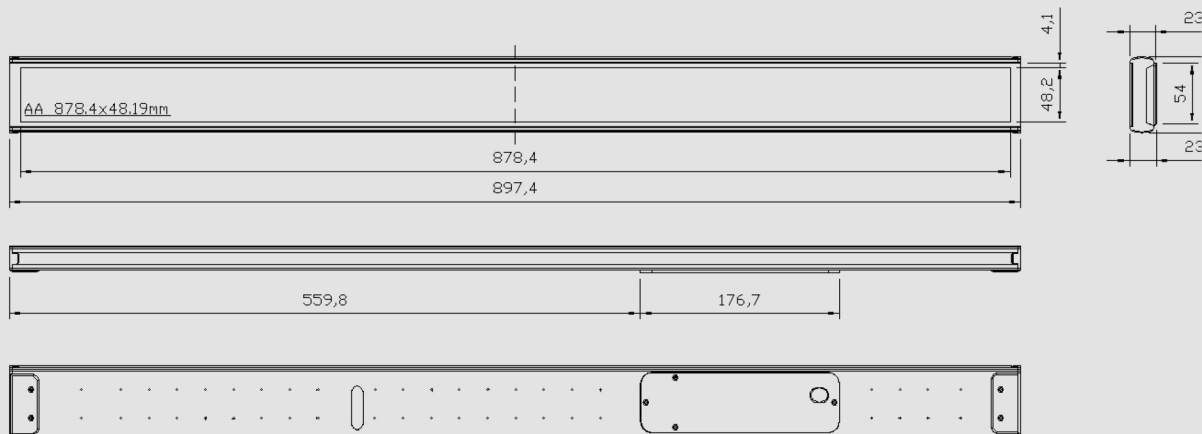
Rail 09001 (90CM)

TECHNICAL DETAILS

Model	VR 09001
Dimensions (mm)	897.4 x 67.5 x 23.6 mm
Display technology	35.0-inch diagonal a-Si TFT-LCD display screen
Active display area (mm)	878.4 x 48.2 mm
Resolution (pixels)	2880 x 158
Pixel colors	16.7M (8-bit) with 73% NTSC (CIE1931)
Viewing angle	Nearly 180°
Video formats supported	mp4
Image formats supported	png / jpeg
Operating temperature	10 °C to 30 °C
Connectivity	RJ45 10/100/1000 network
Cloud firmware update	Yes
Regulatory	FCC, IC, CE

*For details see product specification

TECHNICAL DRAWINGS





VR 05502 (110CM)

TECHNICAL DETAILS

Model	VR 05502
Dimensions (mm)	1091.8 x 76.5 x 34.1
Display technology	42.0-inch diagonal a-Si TFT-LCD display screen
Active display area (mm)	1058.8 x 36.4 mm
Resolution (pixels)	3840 x 132
Video playing options (pixels)	1 video playing in sync on the 2 screens (1920 x 272, visible area at 1920 x 132, second video will start after the 136th pixel) 2 separate video playing on each screen (1920 x 132, visible area at 1920 x 132)
Pixel colors	16.7M (8-bit) with 73% NTSC (CIE1931)
Viewing angle	Nearly 180°
Video formats supported	mp4
Image formats supported	png / jpeg
Operating temperature	10 °C to 30 °C
Connectivity	RJ45 10/100/1000 network
Cloud firmware update	Yes
Regulatory	FCC, IC, CE

*For details see product specification

EXAMPLARY PICTURE

TECHNICAL DRAWINGS

